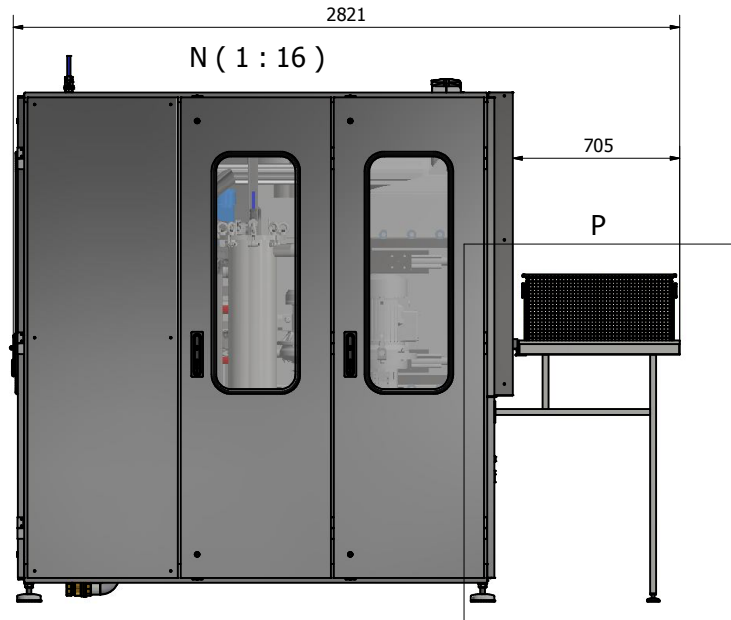
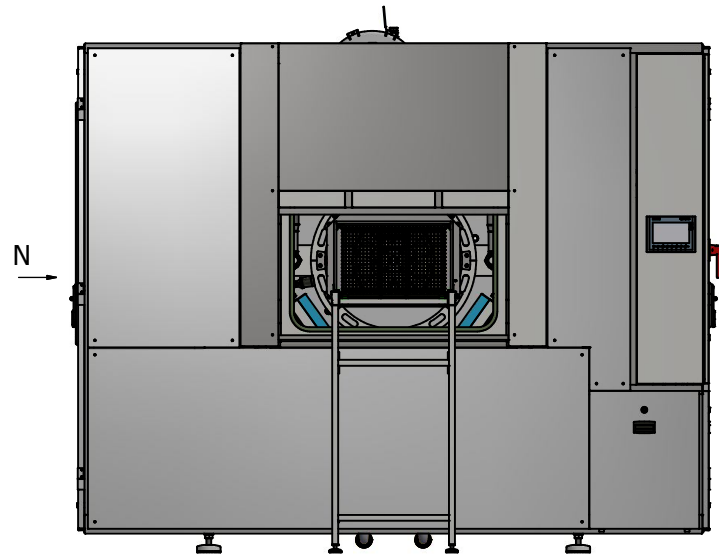
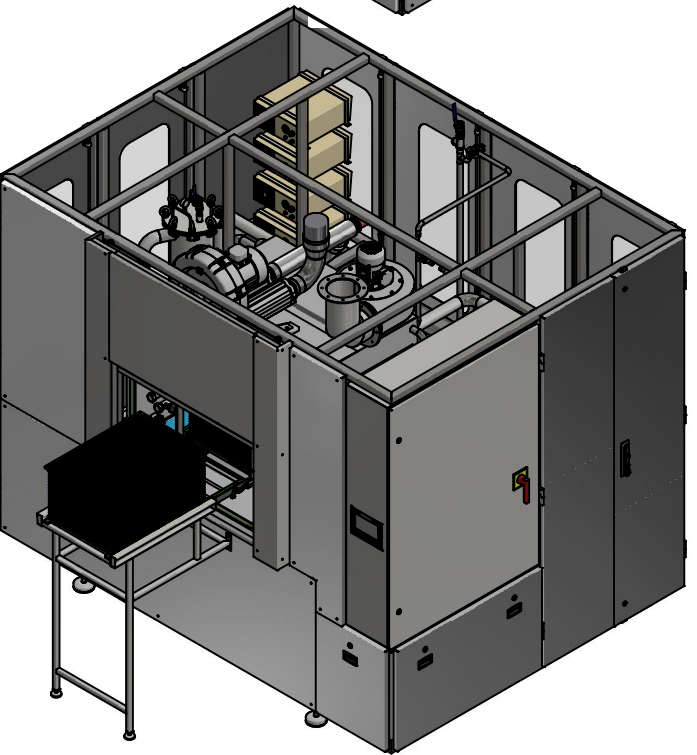
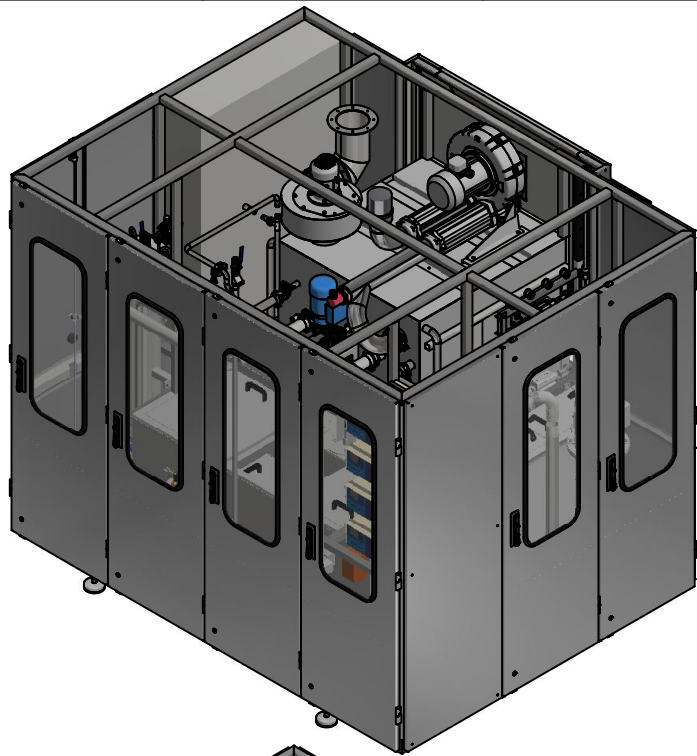
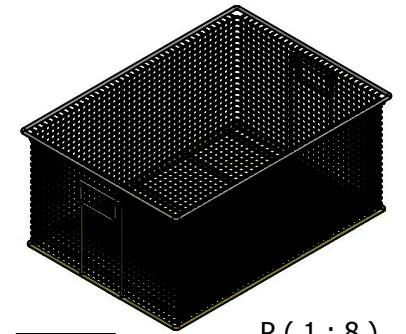
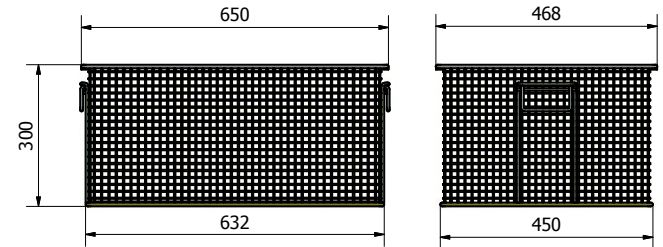


- MEDIA:
- A - ELECTRIC SUPPLY 3x400V ~72 kW
 - B - BATH DRAIN VALVE 1 1/2"
 - C - FILLING VALVE 3/4"
 - D - FUME EXHAUST PIPE FI 160mm
 - E - Compressed air supply 1/2" 6 bar

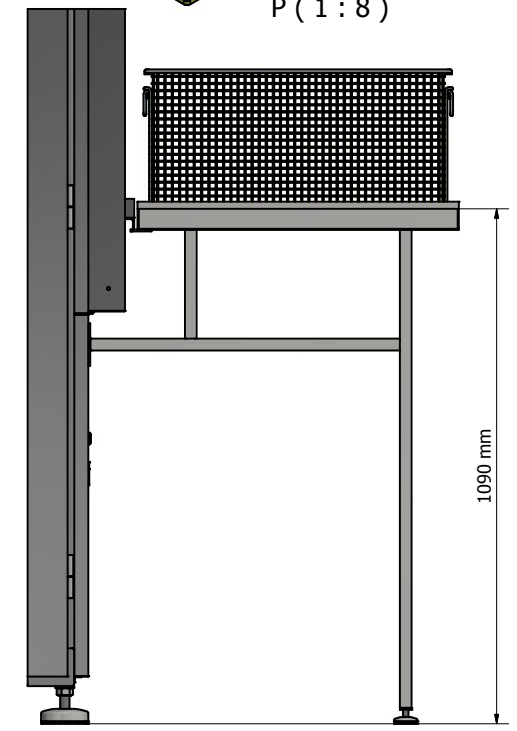
KO11995

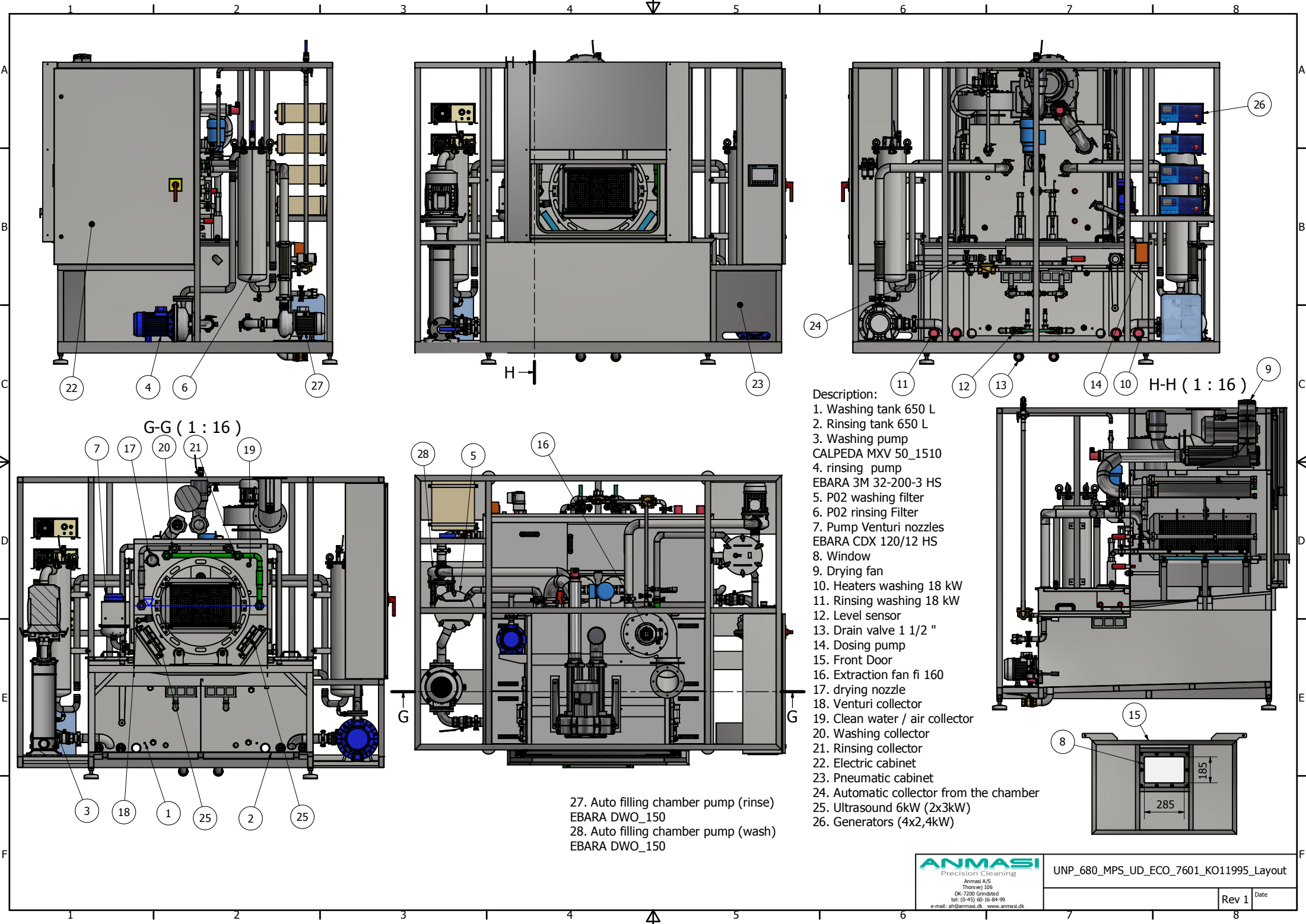


Basket
RK 670-13-300



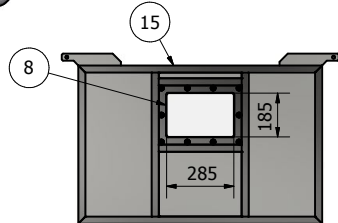
P (1 : 8)

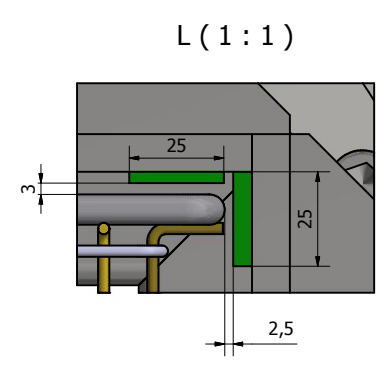
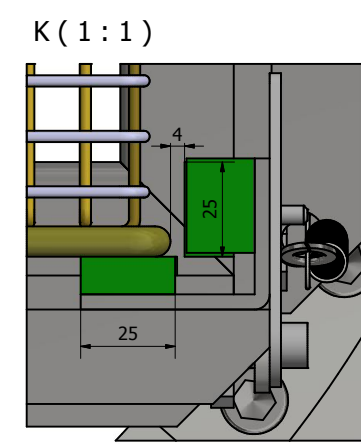
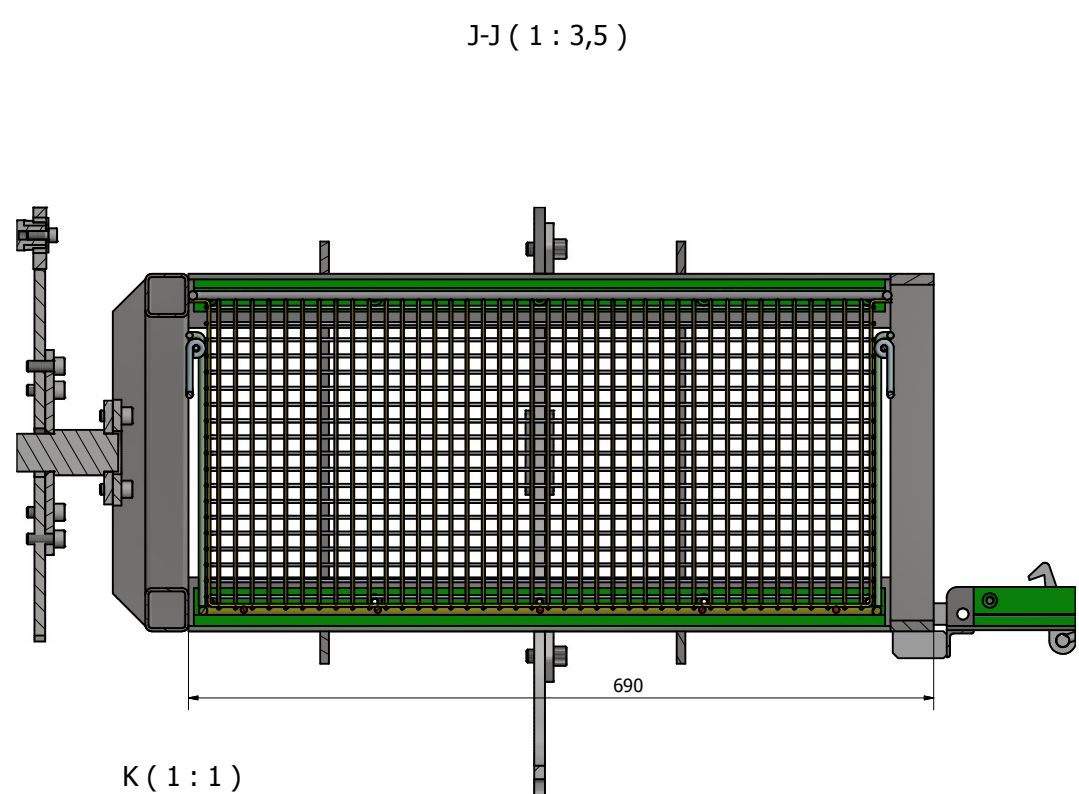
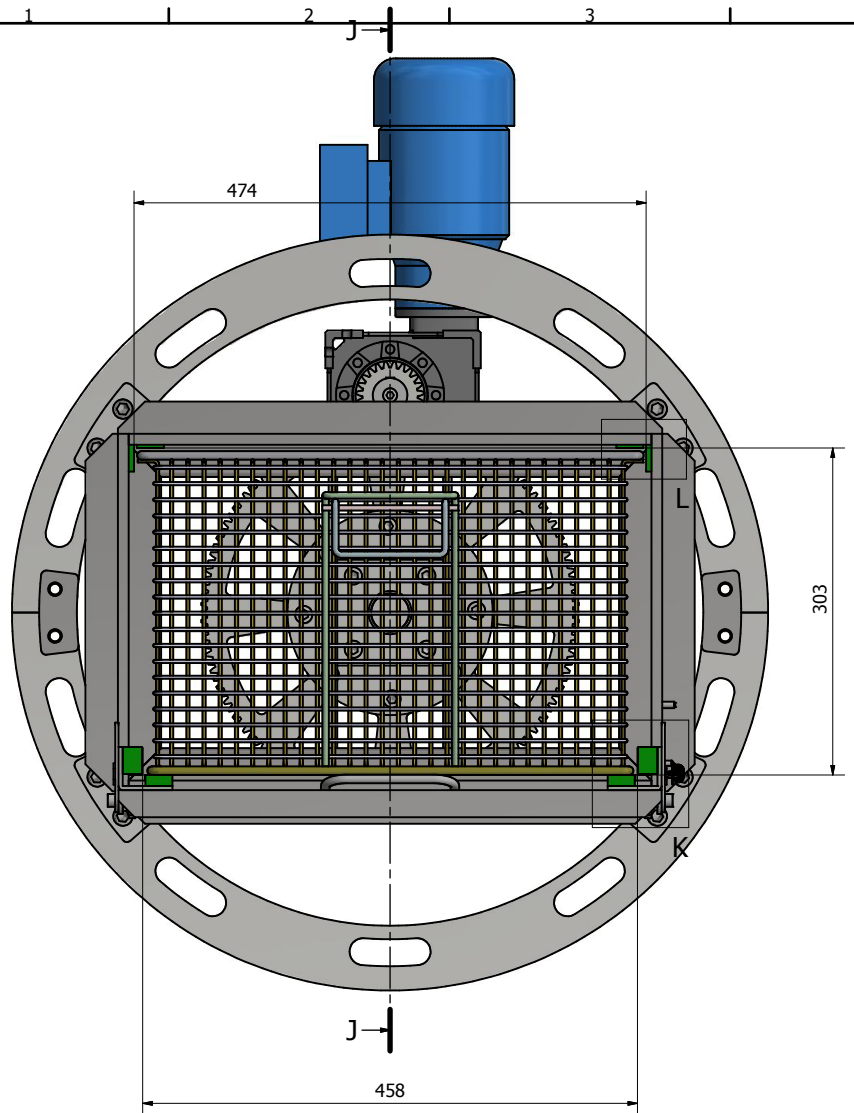




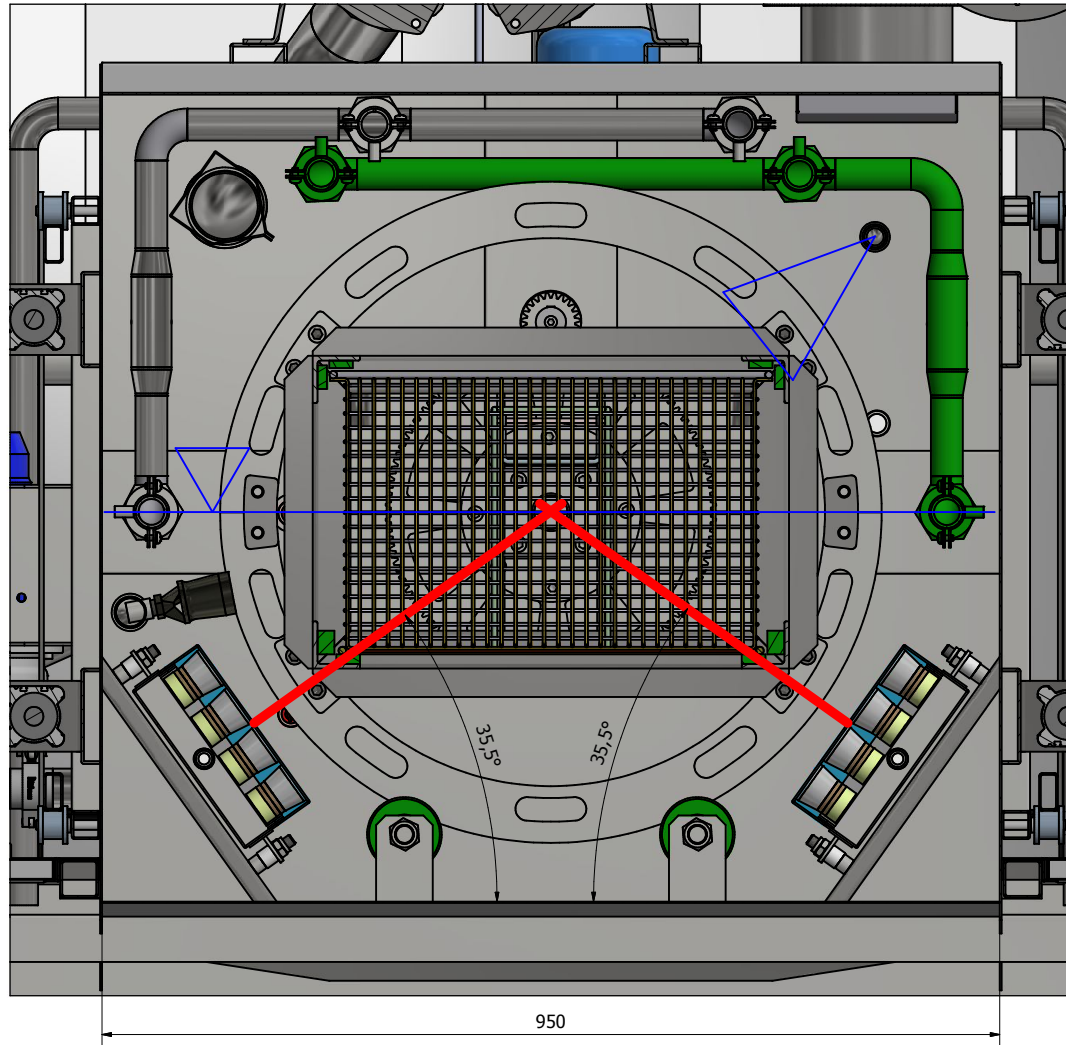
- Description:
- 1. Washing tank 650 L
 - 2. Rinsing tank 650 L
 - 3. Washing pump CALPEDA MXV 50_1510
 - 4. rinsing pump EBARA 3M 32-200-3 HS
 - 5. P02 washing filter
 - 6. P02 rinsing Filter
 - 7. Pump Venturi nozzles EBARA CDX 120/12 HS
 - 8. Window
 - 9. Drying fan
 - 10. Heaters washing 18 kW
 - 11. Rinsing washing 18 kW
 - 12. Level sensor
 - 13. Drain valve 1 1/2 "
 - 14. Dosing pump
 - 15. Front Door
 - 16. Extraction fan fi 160
 - 17. drying nozzle
 - 18. Venturi collector
 - 19. Clean water / air collector
 - 20. Washing collector
 - 21. Rinsing collector
 - 22. Electric cabinet
 - 23. Pneumatic cabinet
 - 24. Automatic collector from the chamber
 - 25. Ultrasound 6kW (2x3kW)
 - 26. Generators (4x2,4kW)

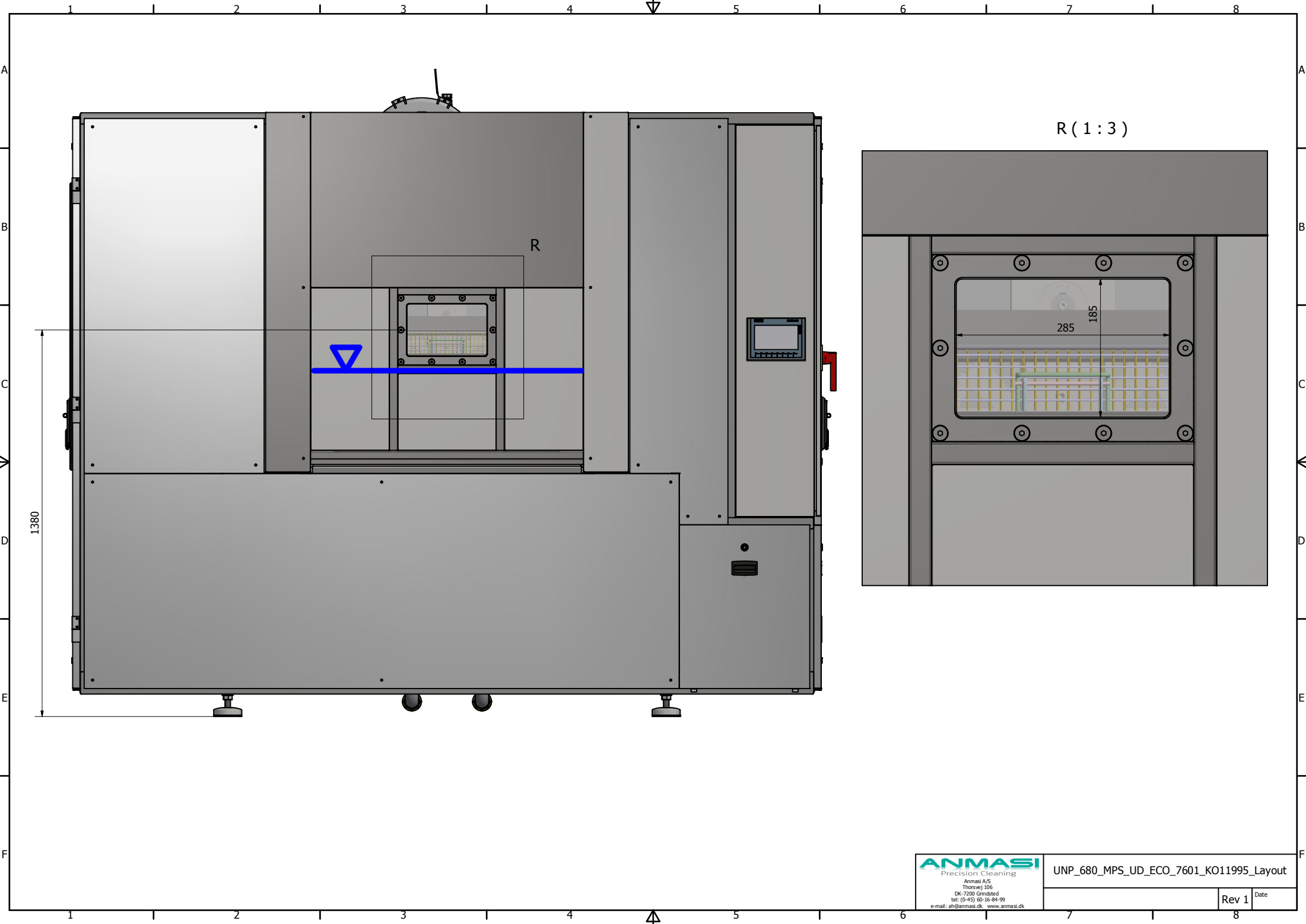
27. Auto filling chamber pump (rinse)
EBARA DWO_150
28. Auto filling chamber pump (wash)
EBARA DWO_150





M-M (1 : 4)





1380

R

R (1:3)

285

185